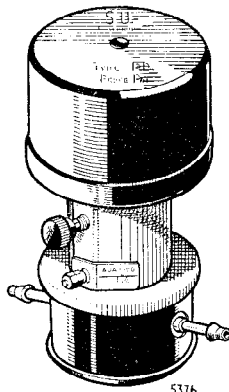


THE

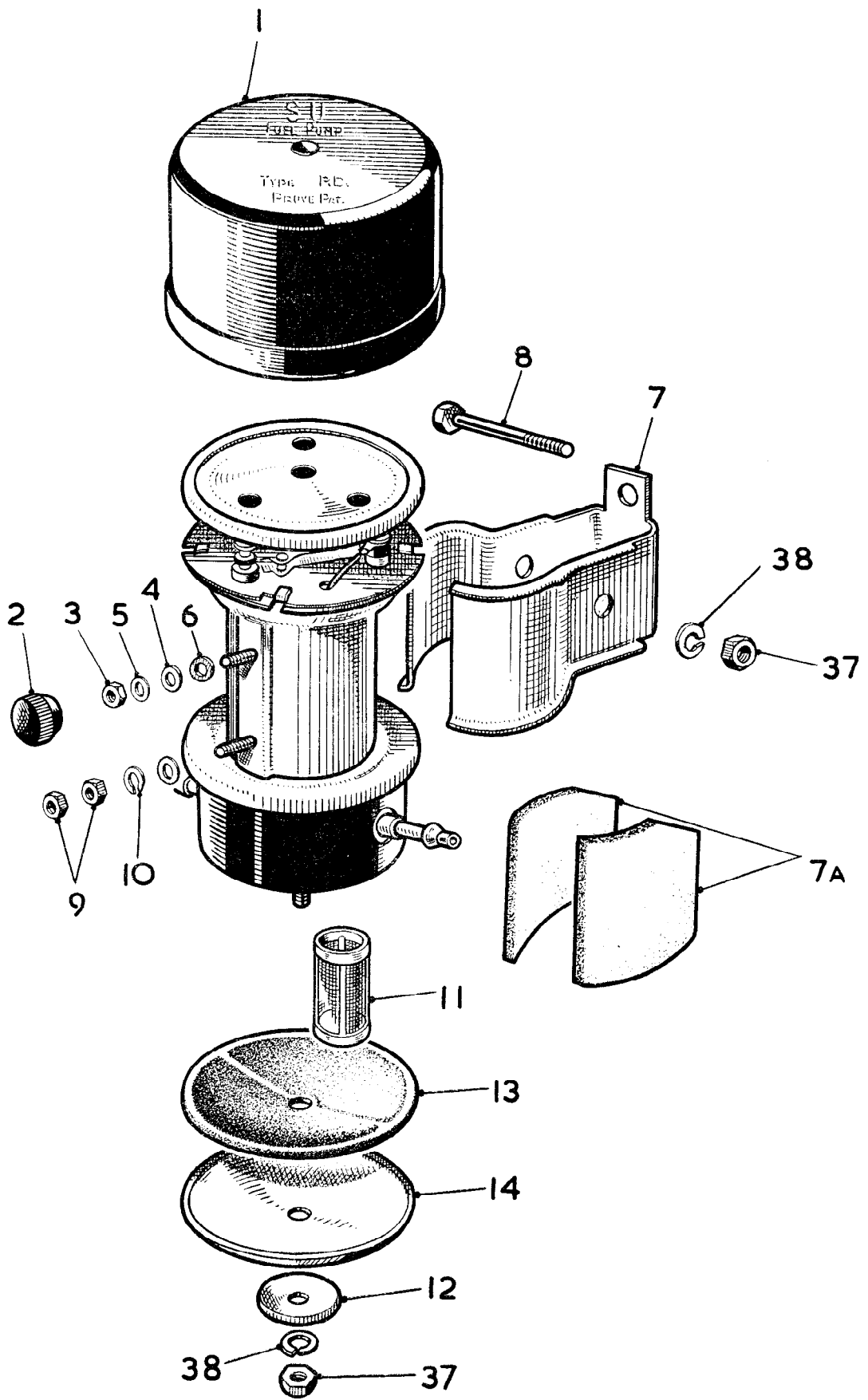


ELECTRIC FUEL PUMP

(TYPE PDI00)



AUTHORIZED DISTRIBUTOR:



TYPE PDI00 ELECTRIC FUEL PUMP (12-v. HP)

SPECIFICATION No. AUA100

illus. No.	Part No.	Qty. off	Description
	AUA100	1	'PD' electric fuel pump (12-v. HP).
1	AUA576	1	Top cover.
2	AUA577	1	Moulded terminal knob.
3	AUA578	1	Hexagon terminal nut—4 BA.
4	AUA601	3	Plain metal washer—4 BA.
5	AUA580	1	Lead washer.
6	AUA581	1	Stepped insulating collar for terminal.
7	AUA582	1	Holding bracket.
7A	AUA625	1	Sorbo packing liner.
8	AUA583	1	Clamp bolt for holding bracket—2 BA.
9	AUA584	2	Nut—earth—4 BA.
10	AUA585	1	Spring washer—earth—4 BA.
11	AUA571	1	Filter.
12	AUA575	1	Dished washer.
37	AUC2156	2	Fixing nut for dished cover and mounting bracket—2 BA.
38	AUC2246	2	Spring washer—2 BA.
13	AUA573	1	Cork sealing disc for bottom dished cover.
14	AUA574	1	Bottom dished cover.

Only the parts listed above are serviceable. The part number AUA100 includes all other parts except items 7, 7A, 8, 37, and 38, and can only be replaced as an assembly.

SOLE EXPORTERS

NUFFIELD EXPORTS LIMITED

Proprietors: Morris Motors Limited

COWLEY - OXFORD - ENGLAND

Telephone: OXFORD 77733
Telex: MOREX, OXFORD
Telegrams and Cables: MOREX, OXFORD



Codes: BENTLEY'S, BENTLEY'S SECOND
PHRASE, A.B.C. (5th and 6th EDITIONS),
WESTERN UNION AND PRIVATE