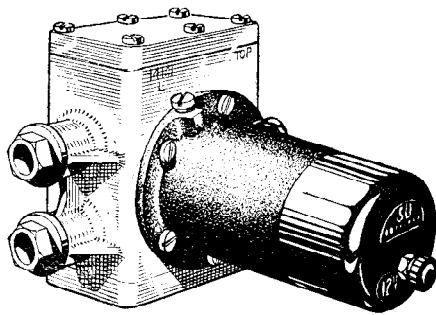


THE

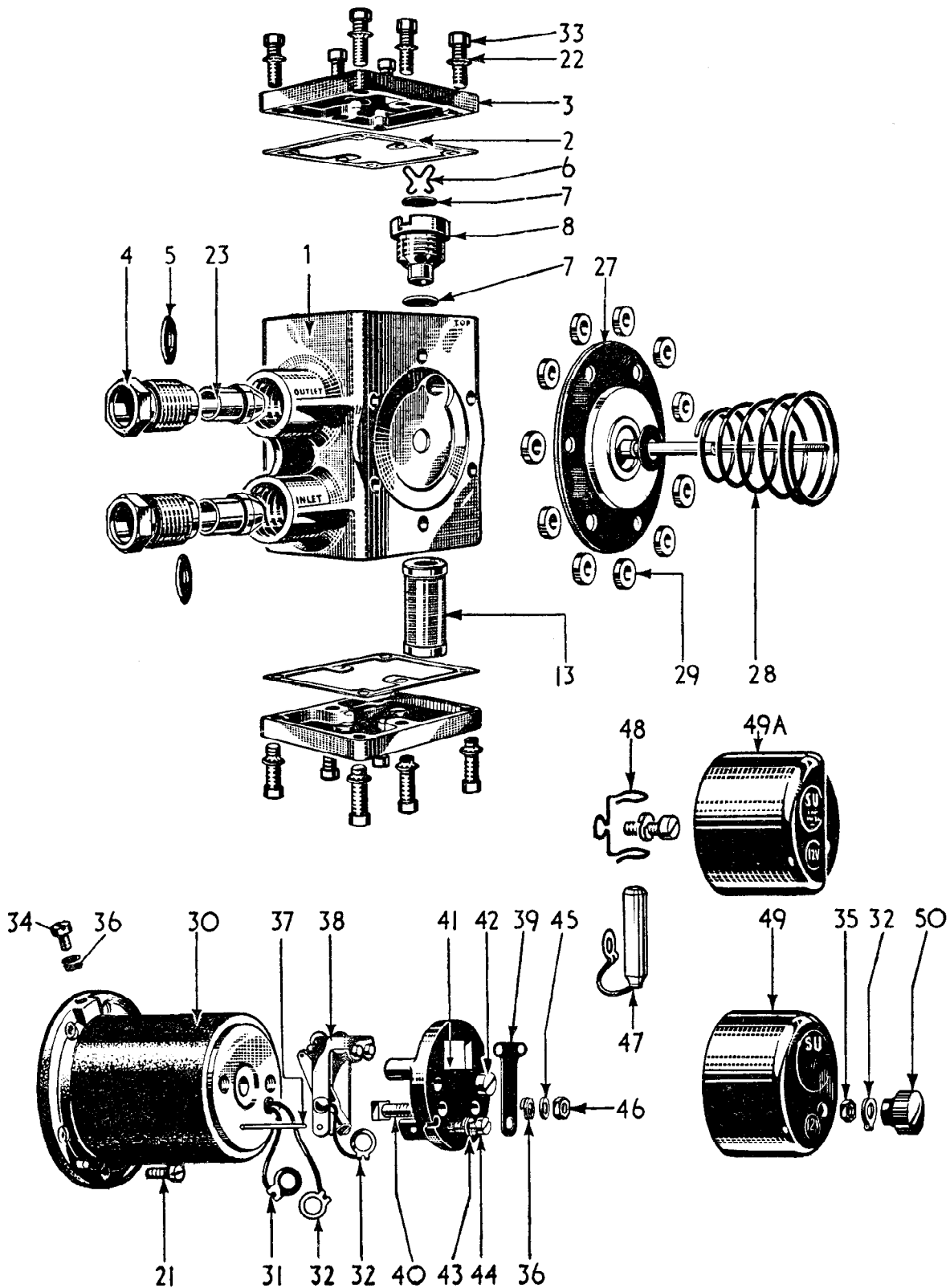


ELECTRIC FUEL PUMP

(TYPE "LCS")



AUTHORISED DISTRIBUTOR :



TYPE "LCS" ELECTRIC FUEL PUMP

Specification Nos. AUA.57 and AUA.52

Illus. No.	Part No.	Qty. off	Description	Illus. No.	Part No.	Qty. off	Description
	Spec. AUA.57	1	Electric fuel pump complete (basic type).	37	AUA.1435	1	ROCKER AND PEDESTAL GROUP Spindle—contact breaker—inner and outer rocker. Rocker and blade sub-assembly—double contact, including:— Terminal tag—2 B.A. Spring blade—double contact—sub-assembly. Terminal screw—2 B.A. Pedestal sub-assembly. Pedestal screw. Spring washer—5 B.A. Screw—5 B.A.—spring blade. Lead washer. Terminal nut—2 B.A.—recessed. Condenser } Spec. AUA.152 Spring clip—condenser } only. End cover—black. or End cover—black (Spec. AUA.52 only). Terminal knob. Terminal nut.
	AUA.52	1	Electric fuel pump complete (with condenser).	38	AUA.6021	1	
			BODY GROUP	32	AUA.1456	1	
1	AUA.4644	1	Body—aluminium—with tube.	39	AUA.6036	1	
2	AUA.4646	2	Joint washer—lid.	40	AUA.1468	1	
3	AUA.4645	2	Lid—top and bottom.	41	AUA.6034	1	
4	AUA.4650	2	Inlet and outlet union.	42	AUA.1459	2	
5	AUA.4979	2	Rubber sealing ring.	43	AUA.868	1	
6	AUA.4609	1	Spring clip—valve cage.	44	AUA.847	1	
7	AUA.4611	2	Valve disc.	45	AUA.1662	1	
8	AUA.4607	1	Valve cage.	46	AUA.1661	1	
13	AUA.4647	1	Filter.	47	AUA.5060	1	
22	AUA.4643	12	Shakeproof washer—2 B.A.	48	AUA.5059	1	
33	AUA.4083	12	Screw—2 B.A.	49	AUA.1466	1	
23	AUA.4649	2	Nipple—inlet and outlet.				
			DIAPHRAGM GROUP				
27	AUA.6010	1	Diaphragm sub-assembly.	50	AUA.5078	1	
28	AUA.1785	1	Spring armature.	55	AUA.869	1	
29	AUA.1433	11	Roller.		AUA.878	1	
			COIL GROUP				
30	AUA.6003	1	Coil housing sub-assembly—12 volt, including:—				
31	AUA.1455	1	Terminal tag—5 B.A.				
32	AUA.1456	1	Terminal tag—2 B.A.				
21	AUA.1453	6	Screw 2 B.A.—coil housing to body.				
34	AUA.4850	1	Earthing screw—2 B.A.				
36	AUA.1863	4	Spring washer—double coil.				

MANUFACTURED BY

THE S.U. CARBURETTER COMPANY LTD.

Proprietors : MORRIS MOTORS LIMITED

WOOD LANE ERDINGTON - BIRMINGHAM, 24

SOLE EXPORTERS

NUFFIELD EXPORTS LIMITED

Proprietors : MORRIS MOTORS LIMITED

COWLEY - OXFORD - ENGLAND

Telephone : OXFORD 77733
Telex : MOREX, OXFORD
Telegrams and Cables : MOREX, OXFORD



Codes : BENTLEY'S, BENTLEY'S SECOND
PHRASE, A.B.C. (5th AND 6th EDITIONS),
WESTERN UNION AND PRIVATE